

Technical data sheet



Product features

Cabinet 1x Door 33x53

Model

SAP Code

00003000



– Material: Stainless steel

Technical data sheet



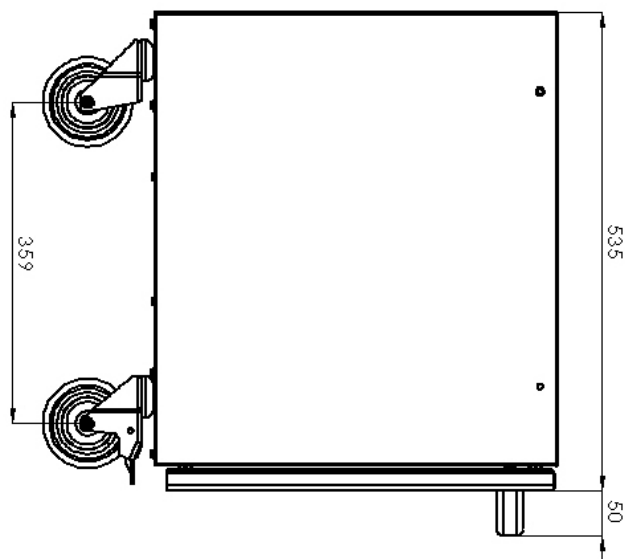
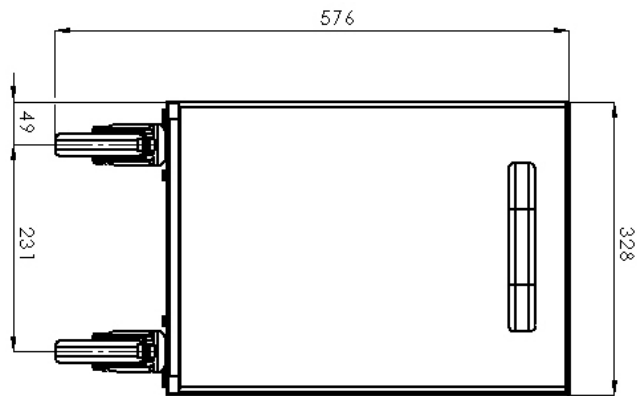
Technical drawing

Cabinet 1x Door 33x53

Model

SAP Code

00003000



Technical data sheet



Technical parameters

Cabinet 1x Door 33x53

Model

SAP Code

00003000

1. SAP Code:

00003000

2. Net Width [mm]:

330

3. Net Depth [mm]:

510

4. Net Height [mm]:

570

5. Net Weight [kg]:

10.00

6. Gross Width [mm]:

370

7. Gross depth [mm]:

610

8. Gross Height [mm]:

600

9. Gross Weight [kg]:

12.00

10. Material:

Stainless steel

11. Adjustable feet:

Yes

12. Construction type of device 3:

Closed

13. Device properties:

Neutral

14. Construction type of device:

Stationary

15. Unit:

No